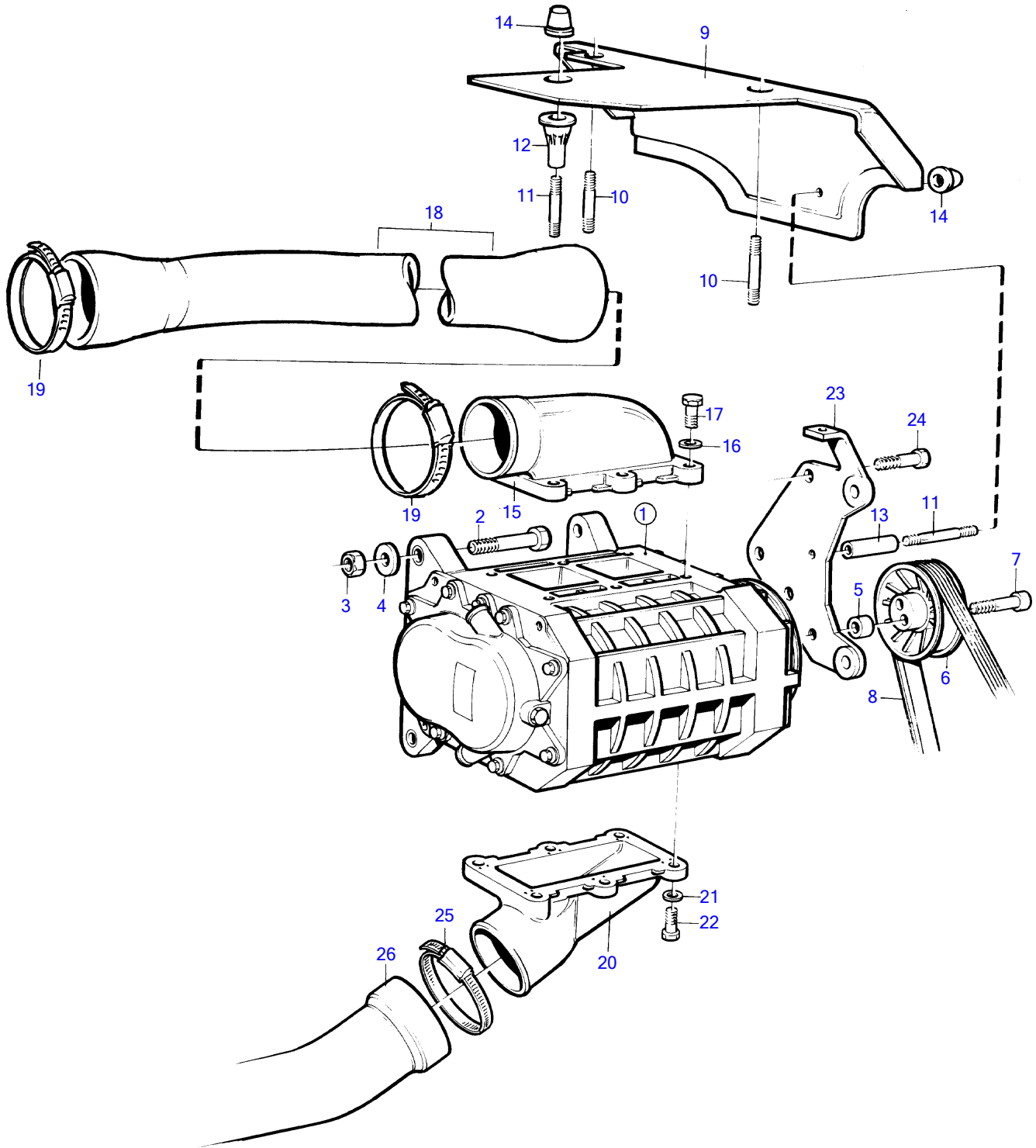


KAD42P-A, KAMD42P-A



KAD42P-A, KAMD42P-A

REF	PART NO.	QTY	DESCRIPTION	SEE SEC.	NOTES
1	3581061	1	Compressor		(860360)
	3803263	1	Compressor, exch, exch		(860360)
			.	541	
			.		
2	965186	4	Flange screw		
3	971098	4	Flange lock nut		
4	960148	4	Washer		
5	849845	1	Spacer sleeve		
6	861563	1	Tension pulley		
7	959245	1	Hex. socket screw		
8	860388	1	Drive belt		
9	860778	1	Belt protector		
10	953031	2	Stud		
11	968975	2	Stud		
12	860818	1	Spacer		
13	833244	1	Spacer sleeve		
14	861019	4	Lock plug		
15	3581431	1	Connection pipe		(860398)
16	955893	6	Washer		
17	946934	6	Flange screw		L=20mm
18	861567	1	Hose		
19	961674	2	Hose clamp		
20	860400	1	Connection pipe		
21	955893	6	Washer		
22	946934	5	Flange screw		L=20mm
	965212	1	Flange screw		L=35mm
23	860371	1	Bracket		
24	946329	3	Flange screw		
25	872531	1	Hose clamp		
26	860389	1	Hose		